

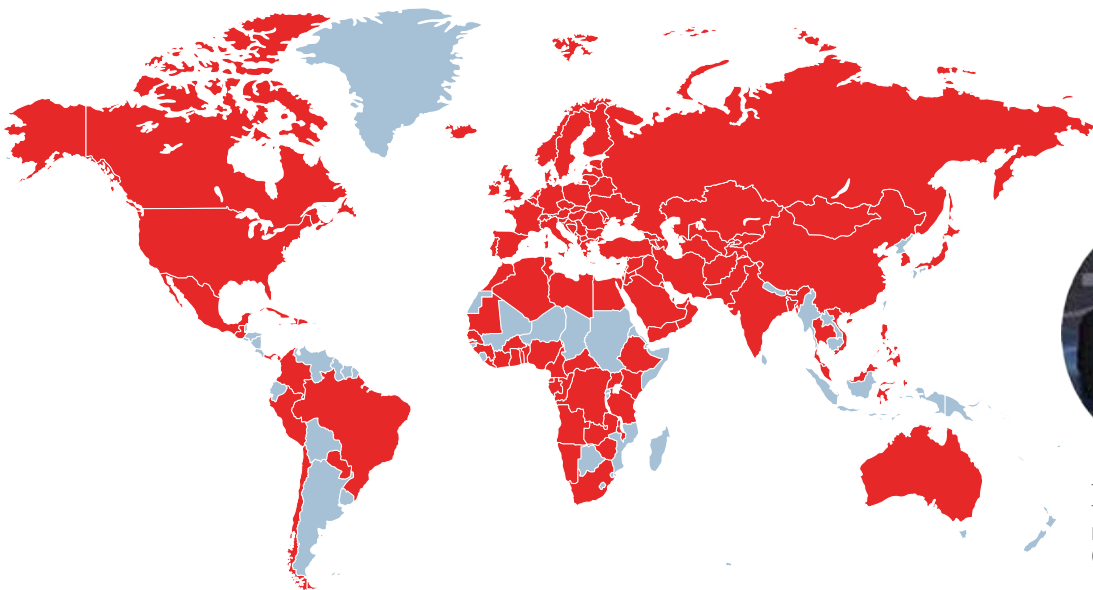


EKIN ENDÜSTRİYEL

**BAG FILTERS
PRODUCT
CATALOGUE**



Your Satisfaction Is Our Priority;
Globalization Is Our Goal!



The 2nd Company from Türkiye Exporting to the Highest Number of Countries (ISIB HVAC-R).



The first condition of innovation is to question. Sustainable innovation is to never stop questioning.

For us, the journey of innovation started with a question: "Why not produce value-added technology in Türkiye?". The first turning point in this long journey was the birth of the MIT (Made In Türkiye) brand. The founding vision of MIT, which enabled us to become Türkiye's first domestic manufacturer in the field of "Plate Heat Exchanger", was not to be a domestic "alternative", but to create a quality brand that could compete in the global market.

By working for this goal, we have been entitled to receive many international quality certificates such as ISO, TSE, CE, GOST... for our products and processes over many years. For us, questioning the current situation was a natural result of our desire to exceed ourselves.

New Generation Engineering

With our engineering approach that focuses on the process, not the problem, we do not only specialise in one product, but also consider the entire ecosystem of that product. Therefore, we provide an end-to-end application by producing all other components that will form a system as well as the plate heat exchanger. For this, we focus on the continuous development of the necessary engineer staff. With our business development, pre-sales, sales and after-sales services provided by our expert engineers, we produce not only products but also "solutions".

At the point we have reached; we offer complementary services with our internationally approved plate heat exchangers, components such as accumulation tanks, boilers, industrial pumps and installation materials that turn these heat exchangers into a system. With our team of more than 100 expert engineers, we continue to develop as a solution partner for projects requiring high technology in more than 60 countries.



HEAT TRANSFER PRODUCTS

- Gasketed Plate Heat Exchangers
- Brazed Heat Exchangers
- Shell & Tube Heat Exchangers
- Evaporators and Condensers
- DC Fan Driven Oil Coolers
- Heating Coils
- Serpentine / Radiators / Economizers

PRESSURE VESSELS

- Water Heater Tanks
- Water Storage Tanks
- Buffer Tanks
- Expansion Tanks /Automatic Pump Controlled Expansion Systems
- Stainless Steel Tanks
- Hydraulic Balance Tanks / Air Separators / Sediment Separators
- Magnetic Sediment Separators / Magnetic Filters / Bag Filters
- Air Tubes
- Steam Separators
- Pressured Air Tanks
- Neutralization Units

INDUSTRIAL AND FOOD GRADE SYSTEMS

- Heat Stations
- Industrial Process Systems
- Dosing Systems
- Thermoregulators
- Pasteurizers
- CIP and Hygienic Process Systems
- Hygienic Storage and Process Tanks
- Custom-Made Stainless Steel Tanks
- Reactors
- Homogenizers

FLUID TRANSFER PRODUCTS

- Lobe Pumps
- Hygienic Centrifugal Pumps
- Twin Screw Pumps
- Gear Pumps
- Magnetic Drive Pumps / Thermoplastic Pumps
- Dosing Pumps
- Air Operated Double Diaphragm Pumps (AODD)
- Drum Pumps
- Monopumps
- Peristaltic (Hose) Pumps
- Centrifugal Blowers
- Roots Blowers

FLOW CONTROL UNITS

- Butterfly Valves
- Ball Valves
- Globe Valves
- Knife Gate Valves
- Actuators
- Check Valves and Strainers
- Pneumatic Piston Valves

ENERGY SYSTEMS

- Domestic and Industrial Boilers
- Steam Generators
- Chillers
- Cooling Towers

PRODUCT RANGE



CONTENTS

Bag Filters 1



Bag Filters

Stainless Bag Filter Bfm Series



- Stainless steel body AISI 304
- Electro-polished and passivated surface
- Filtration at desired micron rating
- Convenient bag cartridge replacement
- 1/4" pressure gauge connection
- 1/2" water drain connection
- Operating pressure: 2–8 bar
- Filtration range: 1–200 microns
- Operating temperature: 2–110 °C

Model	Filter Size	Flow Rate	Feature	Connection
MIT-BAG-FILTER-2025	20"	10 m ³ /h	MAPALI	DN25 1"
MIT-BAG-FILTER-2032	20"	10 m ³ /h	MAPALI	DN32 1"
MIT-BAG-FILTER-2040	20"	10 m ³ /h	MAPALI	DN40 1"
MIT-BAG-FILTER-2050	20"	10 m ³ /h	MAPALI	DN50 2"
MIT-BAG-FILTER-3025	30"	20 m ³ /h	MAPALI	DN25 1"
MIT-BAG-FILTER-3032	30"	20 m ³ /h	MAPALI	DN32 1"
MIT-BAG-FILTER-3040	30"	20 m ³ /h	MAPALI	DN40 1"
MIT-BAG-FILTER-3050	30"	20 m ³ /h	MAPALI	DN50 2"

Model	Filter Size	Feature	Mikron (μ)	Sizeut (mm)
MIT-BAG-FILTER-2025	20"	Plastik	25 μ	170*450 mm
MIT-BAG-FILTER-2050	20"	Plastik	50 μ	170*450 mm
MIT-BAG-FILTER-2100	20"	Plastik	100 μ	170*450 mm
MIT-BAG-FILTER-2200	20"	Plastik	200 μ	170*450 mm

Model	Filter Size	Feature	Mikron (μ)	Sizeut (mm)
MIT-BAG-FILTER-3025	30"	Plastik	25 μ	170*820 mm
MIT-BAG-FILTER-3050	30"	Plastik	50 μ	170*820 mm
MIT-BAG-FILTER-3100	30"	Plastik	100 μ	170*820 mm
MIT-BAG-FILTER-3200	30"	Plastik	200 μ	170*820 mm

*The image is for illustrative purposes; the manufacturer reserves the right to make changes to the product design.

*Bag filter is not included in the prices.

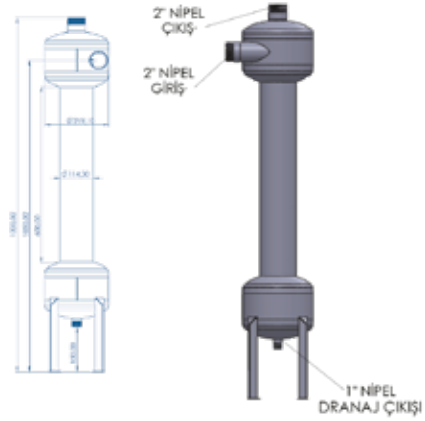
*Bag filter flow rates are specified for 5–10 micron filters.

*For SS316 grade, please consult your sales representative.

*For 16 bar models, please consult your sales representative.

*For 25 bar models, please consult your sales representative.

Stainless Separator Filter Systems



Stainless Separator Filter Systems, suspended solids (sediment, rust, sand and other particles) It is designed to separate water from water by the effect of centrifugal force.

It is a low-cost purification system that has no parts to replace and provides cleaning without stopping the system.

Model	Input/Output	Capacity m ³ /saat	Size (mm)	Weight (Kg)
MIT-S-025	1/2" (DN15)	1 - 1,5	780 x 176 x 140	6
MIT-S-050	3/4" (DN20)	2 - 7,5	780 x 176 x 140	6
MIT-S-100	1" (DN25)	6,5 - 11	775 x 208 x 168	7,7
MIT-S-125	1 1/4" (DN32)	10 - 16	775 x 223 x 168	9
MIT-S-150	1 1/2" (DN40)	14,5 - 18	775 x 223 x 168	10
MIT-S-200	2" (DN50)	17 - 24,5	1185 x 450 x 410	18,5
MIT-S-250	2 1/2" (DN65)	22-35	1185 x 450 x 410	19
MIT-S-300	3" (DN80)	33,5 - 66	1430 x 520 x 470	29,3
MIT-S-400	2" (DN100)	64 - 110	1720 x 540 x 485	50,5

*No filter replacement is required.

*No risk of clogging.

*Constant pressure drop; no flow rate variation even at high capacities.

*No spare parts needed, as there are no moving parts inside.

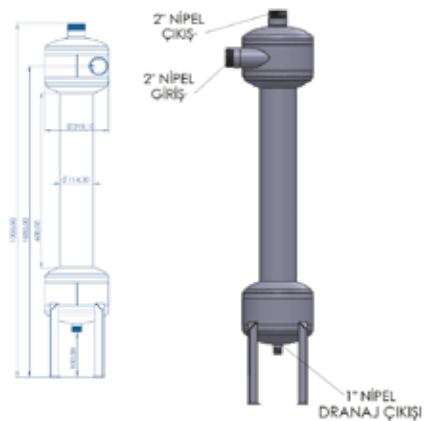
Benefits

- * Ability to operate continuously 24/7
- * Automatic self-cleaning feature
- * Uninterrupted water flow even during cleaning
- * Easy and quick maintenance: only cleaning the solids collection chamber is sufficient

Featureler

- * Stainless steel body
- * Maximum Operating Pressure: 8 bar
- * Maximum Water Temperature: 70 °C
- * Filtration Accuracy: 70–110 µm

St-37 Separator Filter Systems





ST-37 Separator Filter Systems are designed to separate suspended solids (such as sludge, rust, sand, and other particles) from water using centrifugal force.

It is a low-cost treatment system with no replaceable parts, allowing cleaning without shutting down the system.

Model	Input/Output	Capacity m ³ /saat	Size (mm)	Weight (Kg)
MIT-ST-025	1/2" (DN15)	1 - 1,5	780 x 176 x 140	6
MIT-ST-050	3/4" (DN20)	2 - 7,5	780 x 176 x 140	6
MIT-ST-100	1" (DN25)	6,5 - 11	775 x 208 x 168	7,7
MIT-ST-125	1 1/4" (DN32)	10 - 16	775 x 223 x 168	9
MIT-ST-150	1 1/2" (DN40)	14,5 - 18	775 x 223 x 168	10
MIT-ST-200	2" (DN50)	17 - 24,5	1185 x 450 x 410	18,5
MIT-ST-250	2 1/2" (DN65)	22-35	1185 x 450 x 410	19
MIT-ST-300	3" (DN80)	33,5 - 66	1430 x 520 x 470	29,3
MIT-ST-400	2" (DN100)	64 - 110	1720 x 540 x 485	50,5

*No filter replacement is required.

*No risk of clogging.

*Constant pressure drop; no flow rate variation even at high capacities.

*No spare parts needed, as there are no moving parts inside.

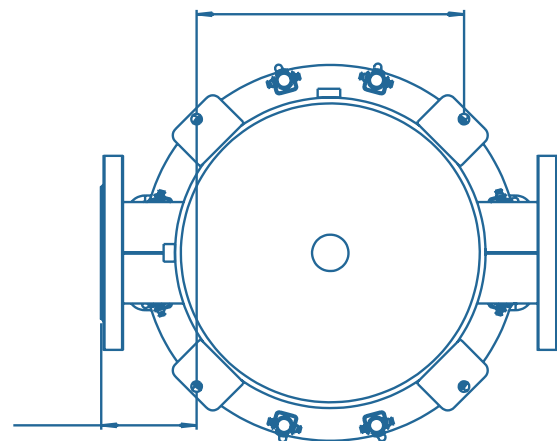
Benefits

- * Ability to operate continuously 24/7
- * Automatic self-cleaning feature
- * Uninterrupted water flow even during cleaning
- * Easy and quick maintenance: only cleaning the solids collection chamber is sufficient

Featureler

- * Stainless steel body
- * Maximum Operating Pressure: 8 bar
- * Maximum Water Temperature: 70 °C
- * Filtration Accuracy: 70–110 µm

304 Stainless Steel Multi-Cartridge Filtration Systems



Stainless Steel Multi-Cartridge Filtration Systems provide water treatment at the desired micron level, making them one of the most effective methods for removing suspended solids, sludge, and particles.

Filtration can be customized to the required micron level, making it ideal for both fine and coarse filtration.

Model	Connection	Number of Cartridges	Cartridge Size	Size (mm)	Weight	Service Flow m3/saat				
						1μ	5μ	10μ	25μ	50μ
MIT-SS-0203	2" (DN50)	3	20"	375 x 426 x 954	19	3	6	9	12	18
MIT-SS-0303	2" (DN50)	3	30"	375 x 426 x 1200	22	5	9	14	20	24
MIT-SS-0403	2" (DN50)	3	40"	375 x 426 x 1250	24	6	12	18	24	24
MIT-SS-0205	2" (DN50)	5	20"	425 x 470 x 973	23	5	10	15	20	24
MIT-SS-0305	2" (DN50)	5	30"	425 x 470 x 1223	27	8	15	24	24	24
MIT-SS-0405	2" (DN50)	5	40"	425 x 470 x 1473	32	10	20	24	24	24
MIT-SS-0308	3" (DN80)	8	30"	435 x 440 x 1235	37	12	24	36	48	54
MIT-SS-0408	3" (DN80)	8	40"	435 x 440 x 1485	44	16	32	48	54	54
MIT-SS-0312	3" (DN80)	12	30"	490 x 485 x 1238	49	18	36	54	54	54
MIT-SS-0412	3" (DN80)	12	40"	490 x 485 x 1538	58	24	48	54	54	54
MIT-SS-0416	4" (DN100)	16	40"	595 x 600 x 1550	82	32	64	92	92	92
MIT-SS-0427	5" (DN125)	27	40"	790 x 790 x 1574	115	54	108	140	140	140

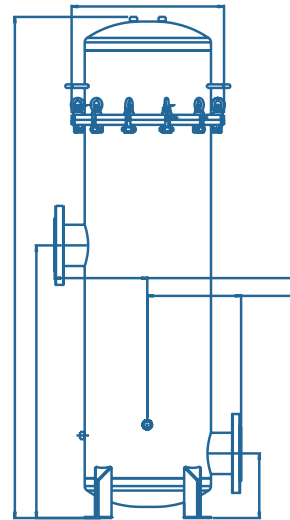
Benefits

- * Long filtration lifespan
- * Filtration at nominal or precise micron levels as needed
- * Pressure-resistant system
- * Continuous system monitoring via pressure gauges

Featureler

- * Stainless steel body
- * Maximum Operating Pressure: 8 bar
- * Maximum Water Temperature: 70 °C
- * Filtration range: 0.5–300 μm
- * Manometer

316 Stainless Steel Multi-Cartridge Filtration Systems



Stainless steel multi-cartridge filtration systems provide water treatment at the desired micron precision, making them one of the most effective methods for removing suspended solids, sediments, and particles.

Filtration can be performed at the required micron level depending on the need. They are ideal filter systems for both fine and coarse filtration.



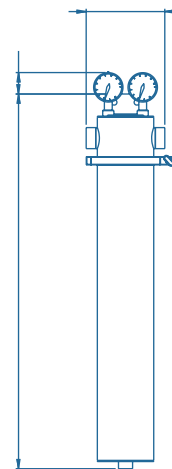
Model	Flow	Energy	Lamp	Connection
MIT-A1	25	315	1	2" Threaded
MIT-A2	50	630	2	3" Flanged
MIT-A3	75	945	3	4" Flanged
MIT-A4	100	1260	4	5" Flanged
MIT-A6	150	1890	6	6" Flanged
MIT-A8	200	2520	8	8" Flanged
MIT-A12	300	3780	12	12" Flanged
MIT-A24	600	7560	24	24" Flanged

- Effective and instant purification
- No chemical use and residue
- Plug and play
- Special lamp socket Easy replacement thanks to
- High quality UV lamp and transparent quartz container best performance and long time in sterilization
- Provides employment benefits during the term. Formed in water at nominal flow rate It destroys 99.99% of bacteria and viruses.

*Visual representation, manufacturer, change in product design has the right to do so.

*For SS316 quality to your sales representative please consult.

Stainless Filter Housing



Suitable for the filtration of water and all types of liquids, including hot and cold, high-pressure, acidic or basic waters, as well as various chemicals. AISI 304 stainless steel filter housings are manufactured in 5", 10", and 20" sizes.

- Stainless steel body AISI 304
- Design suitable for standard cartridges
- Filtration at desired micronage
- Practical cartridge replacement
- 1/4" pressure gauge connection
- 1/2" water drain connection
- 2-8 bar working pressure
- 2-70 °C operating temperature

Model	Cartridge Size	Filter Diameter	Connection Ød2	Size				
				A	B	C	Ød1	Ød3
MIT-5050	5"	2,75"	DN20	340	170	250	90	½"
MIT-5075		2,75"	DN25	340	170	250	90	½"
MIT-5100		2,75"	DN32	340	170	250	90	½"
MIT-5125		2,75"	DN40	340	170	250	90	½"
MIT-1025	10"	2,75"	DN20	340	170	250	90	½"
MIT-1050		2,75"	DN25	340	170	250	90	½"
MIT-1100		2,75"	DN32	340	170	250	90	½"
MIT-1125		2,75"	DN40	340	170	250	90	½"
MIT-1150		2,75"	DN50	340	170	250	90	½"
MIT-2050	20"	2,75"	DN20	340	170	250	90	½"
MIT-2075		2,75"	DN25	340	170	250	90	½"
MIT-2100		2,75"	DN32	340	170	250	90	½"
MIT-2125		2,75"	DN40	340	170	250	90	½"
MIT-2150		2,75"	DN50	340	170	250	90	½"

*The visual is for illustrative purposes only; the manufacturer reserves the right to make changes to the product design.

*Please consult your sales representative for SS316 quality.

*Please consult your sales representative for 16 Bar models.

*Please consult your sales representative for 25 Bar models.

Professional System Solution Center

You can get answers to the problems you experience with your pumps, heat exchangers and system from our MIT professional system solution center. You can also benefit from our 7/24 uninterrupted service with our solution center consisting of our expert engineers.

- Domestic hot water installations.
- Central and district heating systems.
- Milk, yogurt, heating, cooling and pasteurization systems.
- Industrial cooling and heating systems.
- Oil cooling systems.
- Energy recovery systems.
- Pool heating systems.
- Steam installations.



It is vital for your system to be designed and implemented correctly in the first installation in order to be able to operate at the desired capacity, smoothness and long life. For this reason, you can get first-hand

the technical support you need during the installation phase of your system and the problems that may arise in the business; You can reach us **24 hours +90 (216) 232 24 12 in 7 days.**



+90 850 811 04 18

We would like to reiterate that we will be happy to share our knowledge accumulated over many years with our valued customers in order for your system to work correctly and performance.

Ekin will continue to be the best solution partner for you in all applications with all kinds of heating and cooling applications.



Producer; reserves the right to change the product features, technical dimensions and information and installation diagrams specified in this catalog without notice. No specified information can be copied and used without the permission of the manufacturer. In no way can the manufacturer be held responsible by giving examples of technical information and diagrams. In case of need, we request you to request a special technical drawing for your project for exact dimensions.

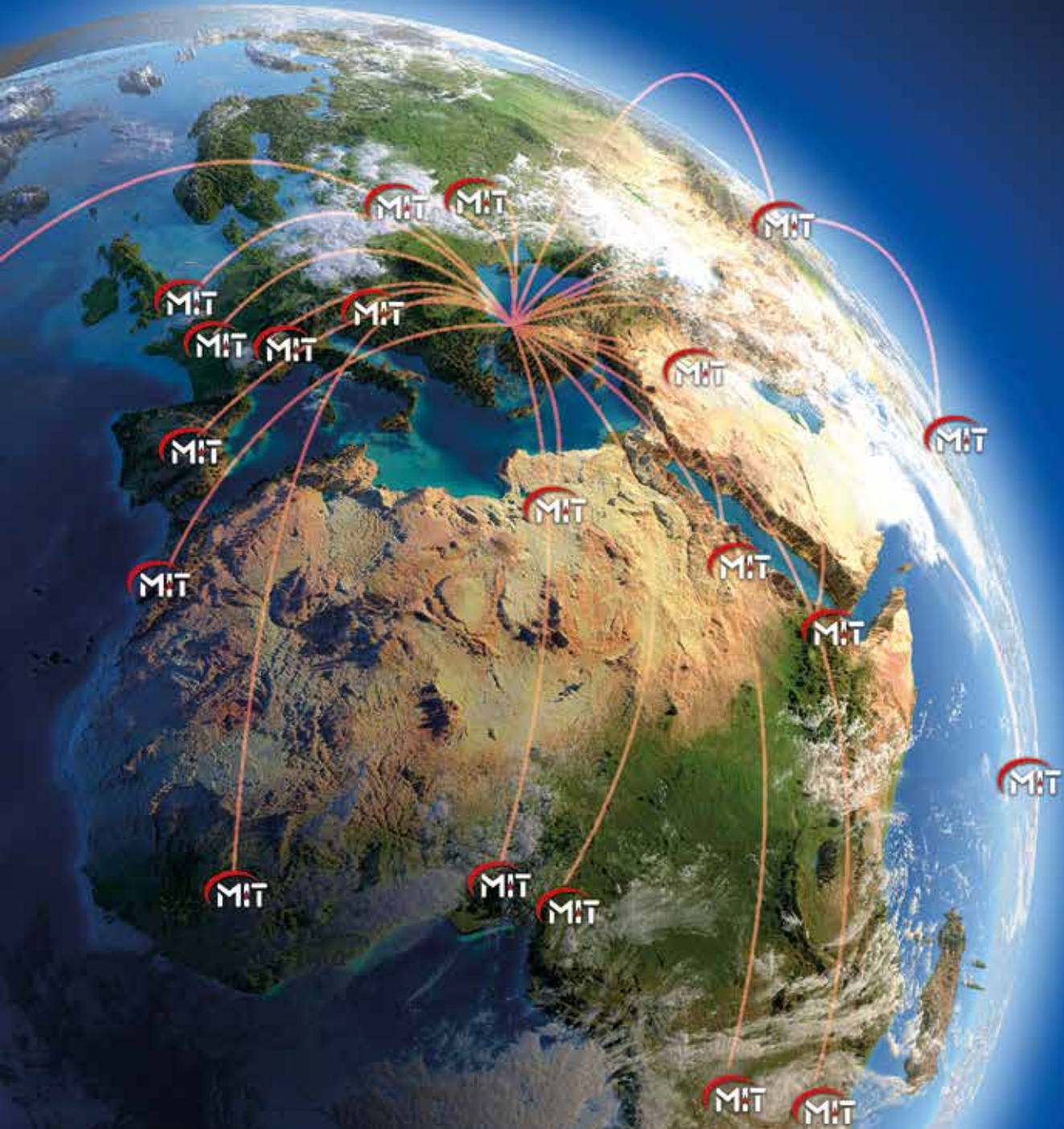


/ekinendustriyel

**Follow us on
social media...**



Today; **135 points** in the world.



 **EKİN ENDÜSTRİYEL**
Isıtma - Soğutma San. Tic. A.Ş.

Dudullu Organize Sanayi Bölgesi - Des Sanayi Sitesi
107. Sk. B14 Blok No: 2 Ümraniye / İstanbul / Türkiye
Phone: +90 216 232 24 12 **Fax:** +90 216 660 13 08
info@ekinendustriyel.com - www.ekinendustriyel.com

+90 216
444 EKİN
3546

